

VIEW FROM DRIVER

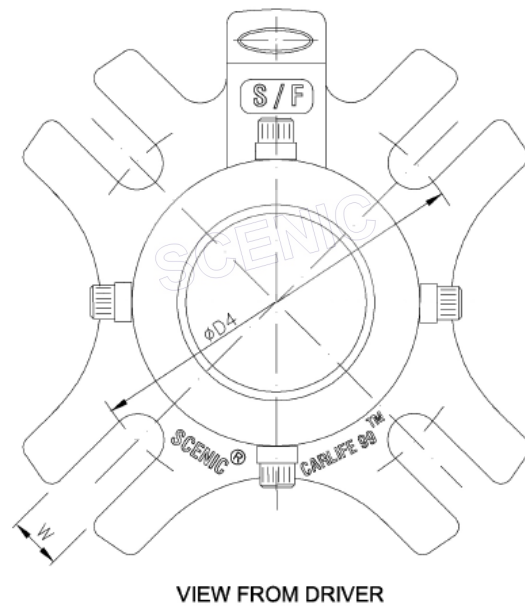
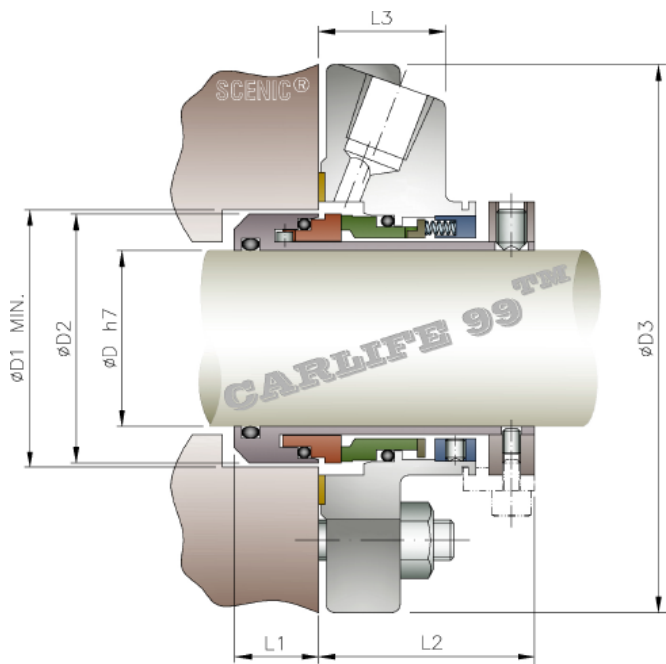
CARLIFE 99 KEY :

- | | | |
|------------------------------------|----------------------------|---------------------------|
| D — Shaft Size | D3 — Max. Gland Diameter | L2 — Outboard Seal Length |
| D1 — Stuffing Box Inside Diameter | D4 — Min. Slot Bolt Circle | L3 — Gland Width |
| D2 — Seal Diameter in stuffing Box | L1 — Inboard Seal Length | W — Slot Width |

CARLIFE 99™ — DIMENSIONAL DATA / METRIC (mm)

Seal Code	Shaft D	D1		D2	D3	L1	L2	L3	W	D4 MIN.		
		MIN.	MAX.							M10	M12	M16
99-0025	25	42	48	39.4	95.0	16.6	42.4	25	11.1	68	-	-
99-0028	28	45	51	43.0	98.0	17.6	42.4	25	11.1	73	-	-
99-0030	30	46	54	44.2	98.0	16.6	42.4	25	11.1	76	-	-
99-0032	32	48	54	46.0	108.0	17.6	42.4	25	11.1	76	-	-
99-0035	35	51	58	49.2	108.0	17.6	42.4	25	11.1	80	-	-
99-0038	38	58	63	55.5	120.0	20.0	42.4	25	14.3	86	89	-
99-0040	40	60	66	57.4	120.0	20.0	42.4	25	14.3	89	92	-
99-0042	42	62	68	61.5	127.0	20.5	42.4	25	14.3	90	92	-
99-0045	45	64	70	61.5	127.0	20.5	42.4	25	14.3	93	96	-
99-0048	48	67	73	64.8	139.7	20.5	42.4	25	14.3	95	98	-
99-0050	50	70	77	68.0	130.0	20.5	42.4	25	14.3	98	102	-
99-0053	53	73	80	71.0	150.0	20.5	42.4	25	17.5	-	108	112
99-0055	55	75	82	72.0	150.0	20.5	48.9	28	17.5	-	108	112
99-0060	60	83	90	79.3	162.0	20.5	51.8	31	17.5	-	115	118
99-0065	65	90	95	85.7	178.0	20.5	51.8	31	17.5	-	121	124
99-0070	70	95	102	92.0	178.0	28.0	51.8	31	17.5	-	133	137
99-0075	75	104	108	98.4	190.0	28.0	51.8	31	17.5	-	136	140
99-0080	80	109	115	102.0	203.0	28.0	51.8	31	17.5	-	144	148
99-0085	85	114	122	109.5	211.0	28.0	51.8	31	17.5	-	152	156
99-0090	90	119	127	114.2	219.0	28.0	51.8	31	18.0	-	162	165
99-0095	95	124	132	120.5	222.0	28.0	51.8	31	18.0	-	156	160

© For special dimension could be manufactured and designed according to customer requirement.



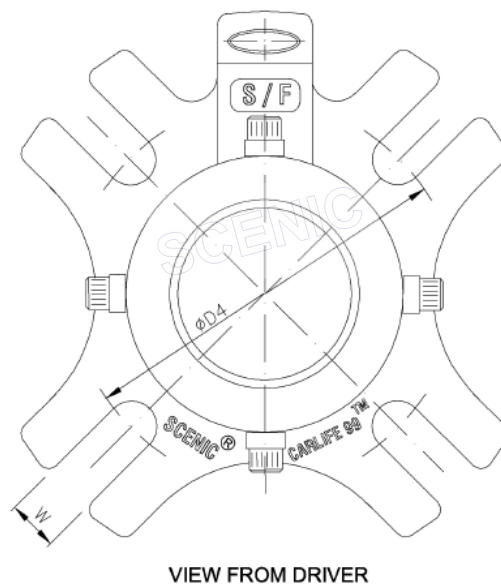
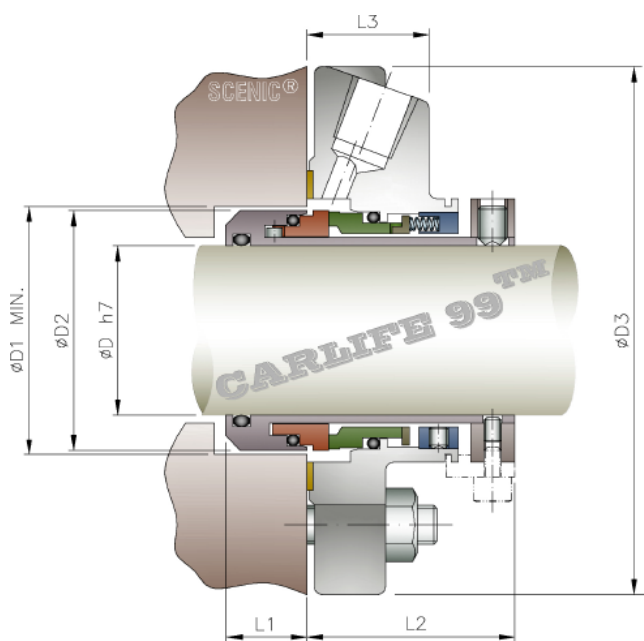
CARLIFE 99 KEY :

- | | | |
|------------------------------------|----------------------------|---------------------------|
| D — Shaft Size | D3 — Max. Gland Diameter | L2 — Outboard Seal Length |
| D1 — Stuffing Box Inside Diameter | D4 — Min. Slot Bolt Circle | L3 — Gland Width |
| D2 — Seal Diameter in stuffing Box | L1 — Inboard Seal Length | W — Slot Width |

CARLIFE 99™ — DIMENSIONAL DATA / INCH

Seal Code	Shaft D	D1		D2	D3	L1	L2	L3	W	D4 MIN.		
		MIN.	MAX.							W3/8"	W1/2"	W5/8"
99-1000	1.000	1.625	1.875	1.551	3.740	0.654	1.669	0.984	0.437	2.875	-	-
99-1125	1.125	1.750	2.000	1.697	3.858	0.693	1.669	0.984	0.437	2.875	-	-
99-1250	1.250	1.875	2.125	1.811	4.252	0.693	1.669	0.984	0.437	3.000	-	-
99-1375	1.375	2.000	2.250	1.937	4.252	0.693	1.669	0.984	0.437	3.250	-	-
99-1500	1.500	2.250	2.500	2.185	4.724	0.787	1.669	0.984	0.563	3.375	3.500	-
99-1625	1.625	2.375	2.625	2.311	4.724	0.787	1.669	0.984	0.563	3.500	3.625	-
99-1750	1.750	2.500	2.750	2.421	5.000	0.787	1.669	0.984	0.563	3.625	3.750	-
99-1875	1.875	2.625	2.875	2.551	5.500	0.807	1.669	0.984	0.563	3.750	3.875	-
99-2000	2.000	2.750	3.000	2.677	5.118	0.807	1.669	0.984	0.563	3.875	4.000	-
99-2125	2.125	2.875	3.125	2.795	5.906	0.807	1.787	0.984	0.689	-	4.250	4.375
99-2250	2.250	3.000	3.250	2.937	6.260	0.807	1.925	1.118	0.689	-	4.375	4.500
99-2375	2.375	3.250	3.500	3.122	6.378	0.807	2.000	1.220	0.689	-	4.625	4.750
99-2500	2.500	3.375	3.625	3.248	6.457	0.807	2.000	1.181	0.689	-	5.000	5.125
99-2625	2.625	3.500	3.750	3.374	7.008	0.807	2.039	1.220	0.689	-	5.000	5.125
99-2750	2.750	3.750	4.063	3.622	7.008	1.102	2.039	1.220	0.689	-	5.125	5.250
99-3000	3.000	4.000	4.311	3.874	7.480	1.102	2.039	1.220	0.689	-	5.354	5.512
99-3250	3.250	4.375	4.685	4.122	8.000	1.102	2.039	1.220	0.689	-	5.846	6.024
99-3375	3.375	4.500	4.811	4.311	8.307	1.102	2.039	1.220	0.689	-	5.984	6.141
99-3500	3.500	4.500	4.937	4.370	8.503	1.102	2.039	1.220	0.709	-	6.220	6.378
99-3625	3.625	4.500	5.062	4.622	8.622	1.102	2.039	1.220	0.709	-	6.378	6.496
99-3750	3.750	4.875	5.187	4.744	8.740	1.102	2.039	1.220	0.709	-	6.142	6.299
99-3875	3.875	4.875	5.312	4.874	8.858	1.220	2.075	1.228	0.709	-	6.299	6.457

© For special dimension could be manufactured and designed according to customer requirement.



CARLIFE 99 KEY :

- | | | |
|------------------------------------|----------------------------|---------------------------|
| D — Shaft Size | D3 — Max. Gland Diameter | L2 — Outboard Seal Length |
| D1 — Stuffing Box Inside Diameter | D4 — Min. Slot Bolt Circle | L3 — Gland Width |
| D2 — Seal Diameter in stuffing Box | L1 — Inboard Seal Length | W — Slot Width |

CARLIFE 99™ BIG BORE — DIMENSIONAL DATA / INCH

Seal Code	Shaft D	D1		D2	D3	L1	L2	L3	W	D4 MIN.		
		MIN.	MAX.							W3/8"	W1/2"	W5/8"
99B-1375	1.375	2.878	3.024	1.937	5.236	0.693	1.669	0.980	0.551	4.016	4.094	-
99B-1750	1.750	3.500	3.925	2.421	6.457	0.807	1.669	0.980	0.551	4.843	4.921	-
99B-1875	1.875	3.626	3.732	2.547	6.457	0.807	1.673	0.980	0.551	4.843	4.921	-
99B-2500	2.500	4.752	5.079	3.248	7.874	0.807	2.039	1.291	0.709	-	5.945	6.102
99B-2625	2.625	4.626	4.740	3.374	7.874	0.807	2.039	1.220	0.709	-	6.102	6.260

Ⓞ For special dimension could be manufactured and designed according to customer requirement.

—REMARK—